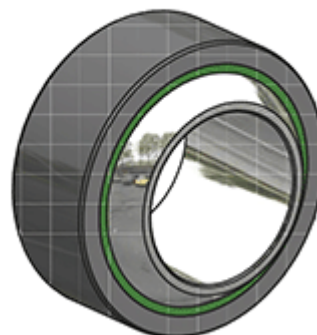
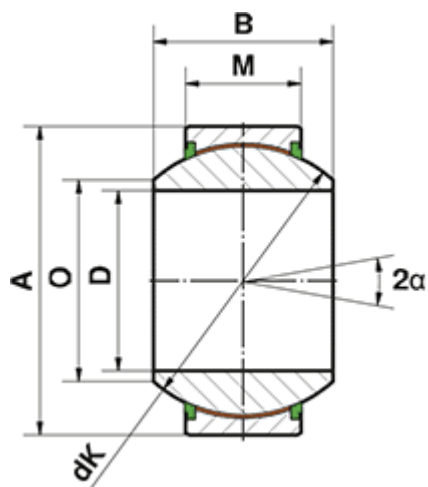


Article number: 03446240

Description: Fluro Heavy Duty Spherical Plain Bearing GE 240 GW-2RS
Hole Ø240

Note: 240

Measures



-	-	Dynamic load C (kN)	= 8550
-	-	M	= 110
-	-	O	= 263.6
A	= 370	Static load C0 (kN)	= 14250
a (degrees)	= 15	Weight (g)	= 64000
B	= 190		
D	= 240		
dK	= 325		